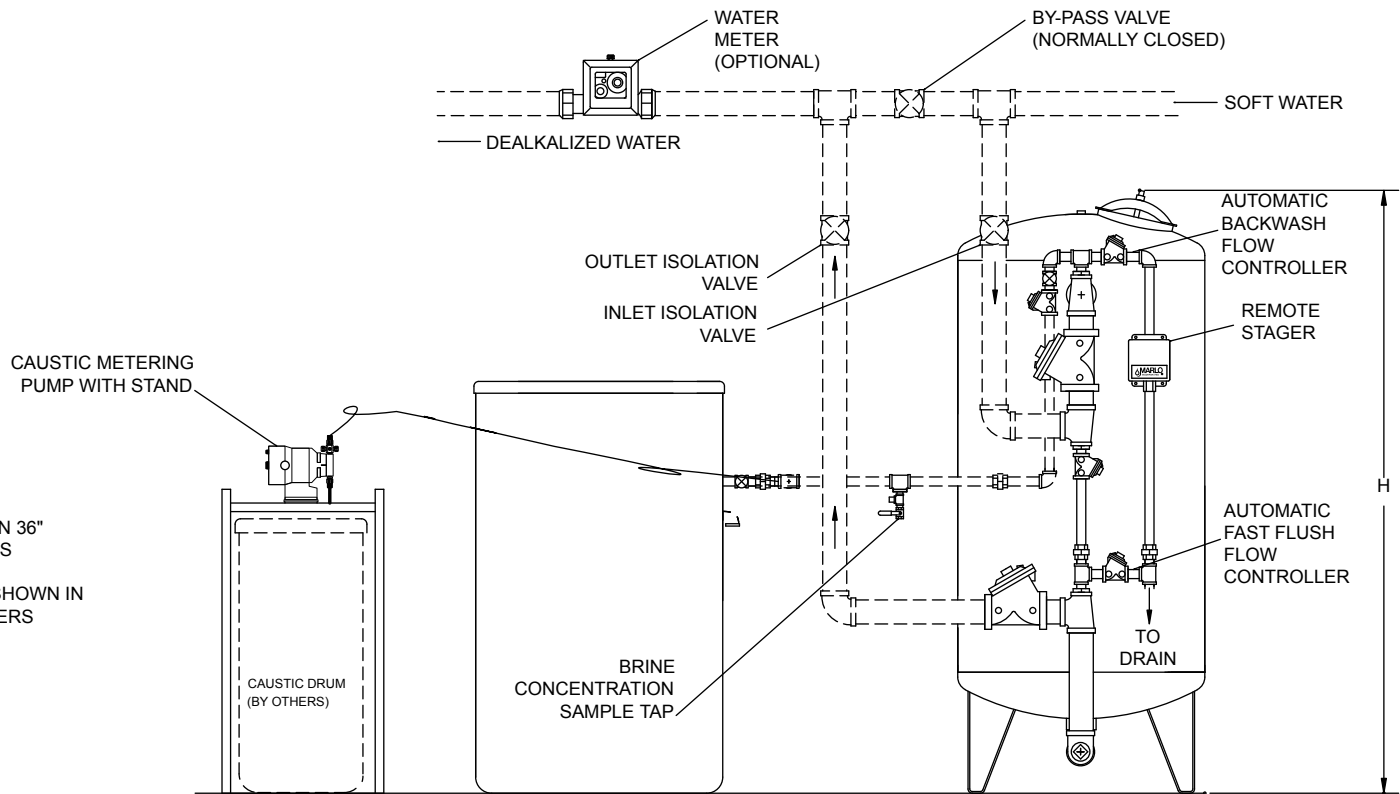
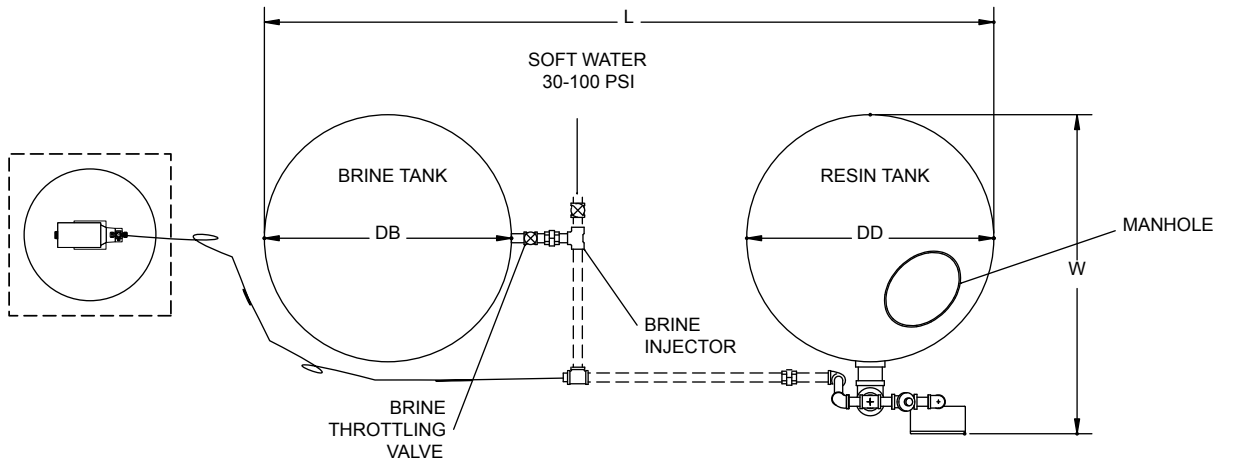


PIPE SIZES		DIMENSIONS	
INLET	_____	LENGTH	_____
OUTLET	_____	WIDTH	_____
DRAIN	_____	HEIGHT	_____
INJECTOR	_____	DD	_____
METER	_____	DB	_____



NOTES:
 RESIN TANKS SMALLER THAN 36"
 DIAMETER HAVE HANDHOLES
 ALL PIPING, FITTINGS, ETC SHOWN IN
 BROKEN LINES ARE BY OTHERS

5-241

REVISIONS			
NO.	DATE	BY	REMARKS



MDAS SERIES SINGLE
 DEALKALIZER SYSTEM

FRAC. ±	DEC. ±	FILE ID.	MDAS SGL METER	
DRN.	RMM	SCALE	NTS	SHEET 1 OF 1
APP'D.	DRAWING NO.		REV.	0
DATE	9-14-04			